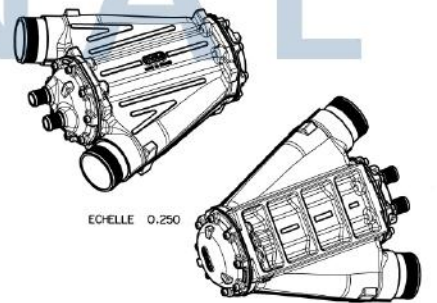


Part. View F

Part. View E



ECHELLE 0.250

7	Screw	16
6	O Ring	4
5	Spacer	1
4	MOTA Element (tubestack)	1
3	Cover	1
2	Cover Inlet / Outlet	1
1	Housing	1
Ref	Name	Qt.

MODIFICATION	NUMERO	DATE	NBRE	MATIERE	Rugosite R0	OBSERVATIONS
MOTA						
Charge Air Cooler						ECHELLE: 1/1
Assembly						103788