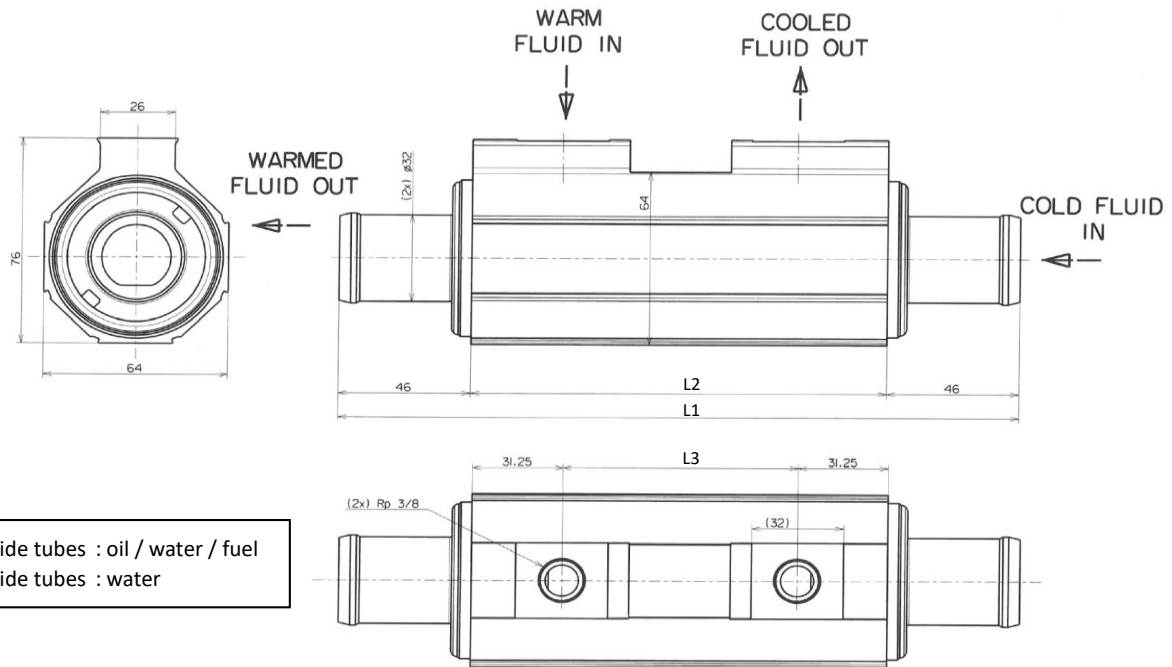


**TECHNICAL
DATA**

MULTITUBULAR HEAT EXCHANGER

Oil-Water-Fuel / Water

G058 - xxx - 1 / CC32



Data	Cooling of oil / water / fuel by untreated water or sea water																	
Dimensions [mm]	Core length [mm]																	
		116	175	235														
	L1	236	295	355														
	L2	144	203	263														
	L3	81,5	140,5	200,5														
Area [m²]	A	0,11	0,16	0,22														
Volume [L]	Outside tubes	0,13	0,20	0,28														
	Inside tubes																	
Weight [kg]	Total	1,25	1,60	1,95														
Working characteristics	Maximum working pressure [bar]		Outlet tubes	30	Maximum water flow rate Q _w = 145 L/min													
			Inlet tubes	10														
	Maximum working temperature [°C]		Outlet tubes	120														
			Inlet tubes	90														
Designation	Tube	Tube plate	Baffle	Shell	Water connection	O-rings												
Materials	Copper-Nickel	Brass	Brass	Aluminium	Reinforced plastic	Viton												
Model	<table border="1" style="margin: auto;"> <tr> <td style="padding: 5px;">G</td> <td style="padding: 5px;">0</td> <td style="padding: 5px;">5</td> <td style="padding: 5px;">8</td> <td style="padding: 5px;">-</td> <td style="padding: 5px;">1</td> <td style="padding: 5px;">7</td> <td style="padding: 5px;">5</td> <td style="padding: 5px;">-</td> <td style="padding: 5px;">1</td> <td style="padding: 5px;">/</td> <td style="padding: 5px;">CC32</td> </tr> </table>						G	0	5	8	-	1	7	5	-	1	/	CC32
	G	0	5	8	-	1	7	5	-	1	/	CC32						
<p>Type: G058 - 175 - 1</p> <p>Core diameter: 64</p> <p>Core length: 175</p> <p>Number of passes on cold side: 1</p> <p>Geometry: (2x) Ø32</p> <p>Water connection: NC52 Brass Ø52mm CC32 Reinforced plastic Ø32mm</p>																		